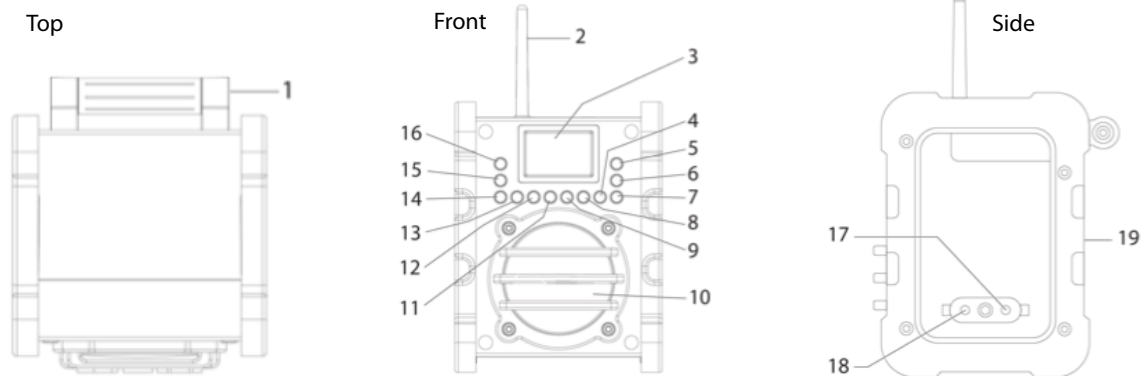


# DAB & FM Site Radio

## DAB Layout and Functions



1. Carrying Handle
2. Antenna
3. LCD Display
4. Tuning- button
5. Vol+ button
6. Vol- button

7. Tuning+ button
8. Enter button
9. Alarm/Sleep button
10. Speaker
11. Info/Setup button
12. Memory up button

13. Memory button
14. DAB/FM button
15. Auto-Scan button
16. Standby button
17. DC jack
18. Aux-in jack
19. Battery compartment

## Switching on your DAB Radio

Connect the mains power lead and press stand-by on the radio.

### For DAB auto tuning

Press the DAB/FM button to select DAB.

Press the AUTO-SCAN button. 'AUTOTUNE FULL SCAN' will appear on the display, and the number of DAB stations will show in the upper right corner. The radio will automatically play the first station.

Press TUNING+ / TUNING- to choose the next or previous station.

### For FM auto tuning

Press DAB/FM button to select FM

Press the AUTO-SCAN button to begin searching for FM stations. When a station is found, the scanning will stop and playback will start automatically.

### Using AUX-Input

The Auxiliary port can be used to connect any device with an Aux-In socket such as an iPod, iPhone, smartphone or MP3 player.

1. Ensure the radio is switched to OFF.
2. Using the supplied Aux-In cable, Connect one end to the Aux-In port on the radio and the other end to the Aux-In or headphone socket on your device.
3. Turn the radio ON, then press STANDBY to ON.
4. Turn on your personal device to begin playing through the radio. You can adjust the volume to your desired level using the controls on the radio and on your device.

**Note:** When using batteries, always ensure that they are the correct polarity and the +/- are inserted the correct way.

For full instructions, please refer to the user guide.