

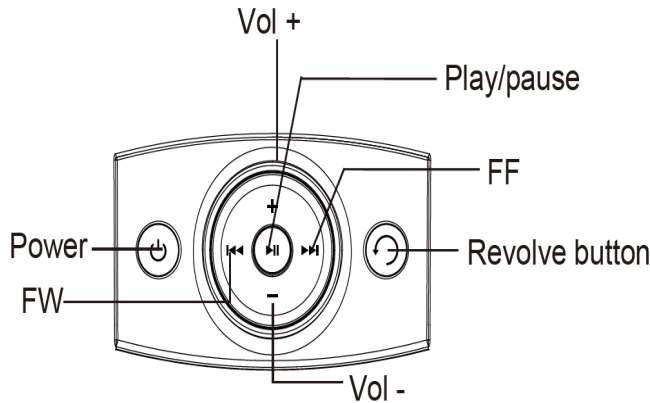


# REVOLVING DOCKING STATION FOR IPOD & IPHONE

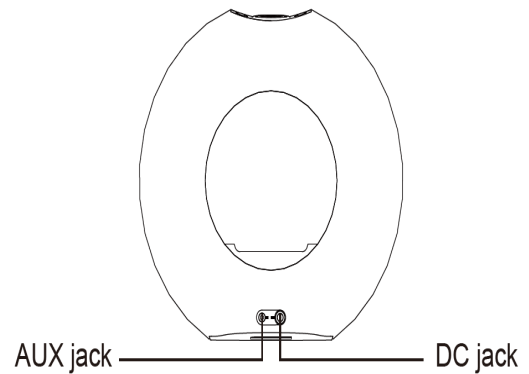
## Quick Set-Up Guide

### FUNCTIONS AND DISPLAY

Top View



Rear View



### REMOTE CONTROL



#### Remote control

Menu: Returns to main menu.  
Enter: Selects the command.

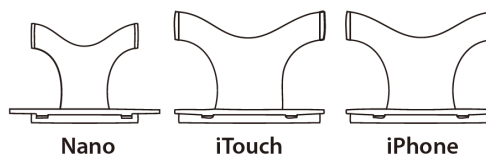
- Standby ON/OFF
- Rotate

- Menu UP
- Menu DOWN
- Previous track
- Next track
- Play / pause
- Volume Increase
- Volume decrease

### SETTING UP YOUR REVOLVING DOCK

Connect the mains power adaptor to your household mains power outlet socket and the other end into the DC jack at the rear of the revolving speaker system. Switch on the mains power supply and then press the power on/off button located at the top of the unit. Select the appropriate dock cradle and insert your iPod/iPhone into the dock. Press the play/pause button to play or pause the music. You can adjust the volume with the +/- buttons. To revolve the speaker system simply press the revolve button on either the unit or remote control.

#### Dock Cradles For iPod Players



PLEASE REFER TO THE USER MANUAL FOR FULL INSTRUCTIONS.

Helpline No. UK/Northern Ireland: 01270 508538 Rep. Ireland: 1800 995 036

Web Support: [www.qesh.co.uk](http://www.qesh.co.uk)

Model Number: 45684