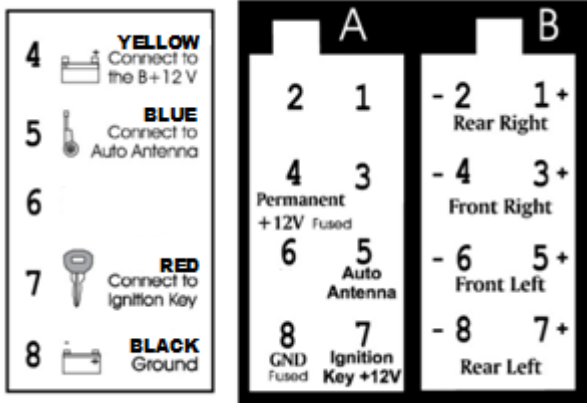


Car CD/MP3 Radio with Bluetooth

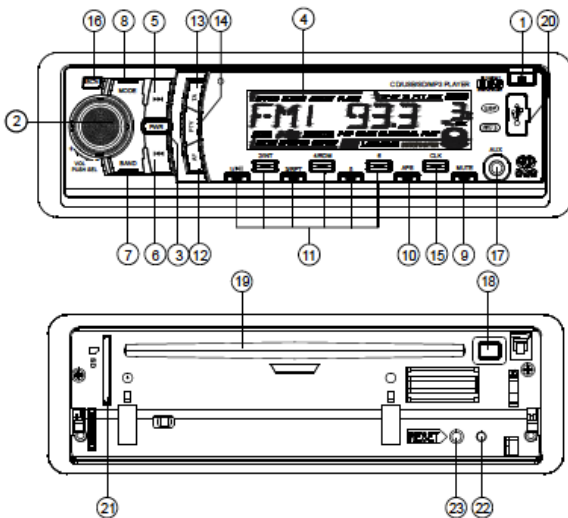
WIRING UP YOUR RADIO

*****IMPORTANT***** Please make sure the yellow wire is connected to the permanent live feed (+12V) of the vehicle's battery for the preset memory. Disconnect negative battery terminal from battery before starting installation, consult the vehicle owner's manual for proper instructions.



1. Install the radio using either the Din-Front Mount or Din-Rear Mount method.
2. The radio is equipped with an ISO connector. The ISO connector is the universal connector for the car stereo.
3. Make sure that you have a good chassis ground. Good ground connections will eliminate most electrical noise problems.
4. Please seek professional advice if you are inexperienced or do not feel confident about installing this type of product.

LOCATION & CONTROL FUNCTIONS



- | | |
|--------------------------------------|----------------------|
| 1. Open button | 15. Clock button |
| 2. SEL button & VOL dial | 16. TEL button |
| 3. Power button | 17. AUX input socket |
| 4. LCD display | 18. EJECT button |
| 5. Tune / Seek, Skip up / down | 19. CD slot |
| 6. ~ " " ~ | 20. USB port |
| 7. BAND button | 21. SD card slot |
| 8. MODE button | 22. Anti-theft LED |
| 9. MUTE button | 23. RESET button |
| 10. APS button | |
| 11. Preset memory / Top, Play, Pause | |
| 12. AF button | |
| 13. TA Button | |
| 14. PTY button | |

WORKING WITH THE UNIT

Bluetooth Connection.

This stereo uses the Bluetooth Auto Connect feature, so that all you need to do is turn the radio on, search for Bluetooth devices on your mobile phone and the car stereo will show as CAR KIT, select CAR KIT and enter 0000 as your password to connect to the Car Radio.

CD Insert/Eject

Press the open button on the front fascia so that the front fascia drops down then simply insert your compatible disc into the slot. To eject a disc follow the above steps but press the eject button behind the fascia to remove the CD.

USB Flashdrive & SD Card

Plug your compatible USB flash drive into the slot and the contents of the flash drive should play automatically. To insert an SD Card press the open button on the front fascia to lower the fascia and insert a Compatible SD Device, lift the fascia back into place and this should then auto play the contents of the SD device.

Aux-in Jack

The front Aux-in Jack can be used for connecting additional audio devices (i.e. MP3 players/iPods) to the unit. The Aux-in wire (supplied with the unit) can be used for this connection. Simply connect one end into the Aux-in Jack and the other to your MP3/iPod.

Radio

Press the mode button to select Radio mode. Press the band button to select a suitable band. You can press the seek up/down buttons to search for your favourite stations, or you can press and hold the A.P button to automatically scan the strongest stations and save them as presets.

FOR MORE DETAILED INFORMATION PLEASE REFER TO THE USER GUIDE.

AFTER SALES SUPPORT

☎ GB 01270 508538 ☎ 1800 995036
 www.quesh.co.uk

MODEL NUMBER: 49180

- Car stereo
- Fascia carry case
- ISO extension cable
- Aux in wire
- RCA cable

