

REKCO® User Guide

SOUNDBAR WITH WIRELESS SUBWOOFER



**TOOLS
REQUIRED**



Table Of Contents

Overview	1.
Scope Of Delivery	2.
Components	2.
General Information	3.
Reading And Storing The User Guide	3.
Intended Use	3.
Explanation Of Symbols	4.
Safety	5.
Explanation Of Instructions	5.
General Safety Instructions	6.
Product Description	8.
Description	8.
Setup	10.
Connecting Via HDMI (ARC)	10.
Connecting Via Optical	11.
Connecting Via Line In	12.
Setting Up The Subwoofer	12.
Using The Soundbar	13.
Selecting A Source	13.
Volume Control	14.
EQ Presets	14.
Manual EQ	14.
Bluetooth	15.
Bluetooth Controls	15.
USB	16.
USB Controls	16.
Mounting The Soundbar	17.
Required Tools	17.
Placement	17.
Fitting The Walls Brackets	17.
Wall Mounting	19.
Mounting Tips	21.

Trouble Shooting	22.
Product Care	23.
Storing	23.
Cleaning	23.
Replacing The Battery	24.
Technical Data	25.
Declaration Of Conformity	25.
Disposal	26.
Disposing Of The Packaging	26.
Disposing Of The Device	26.

Overview

Congratulations!

You have made an excellent choice with the purchase of this quality REKA® product.

By doing so you now have the assurance and peace of mind which comes from purchasing a product that has been manufactured to the highest standards of performance and safety, supported by the high quality standards of Qesh Ltd.

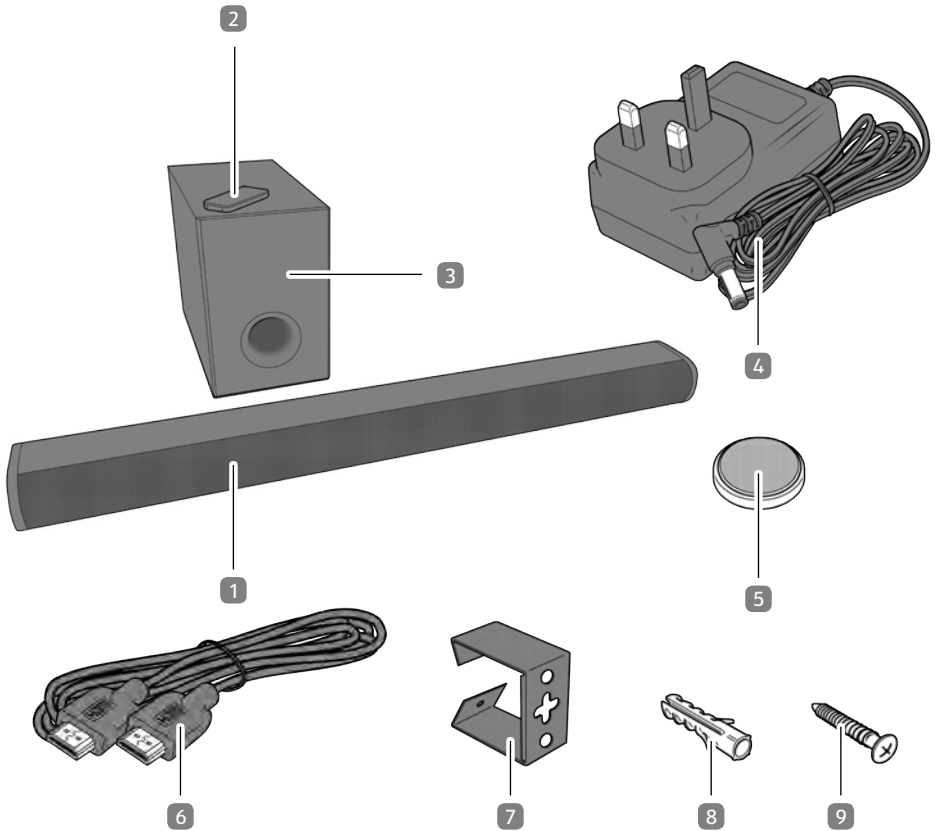
We want you to be completely satisfied with your purchase, so this REKA® product is backed by a comprehensive manufacturer's 1 year warranty and outstanding after sales service through our dedicated helpline.

We hope you enjoy using this product for many years to come.

If you require technical support or in the unlikely event that your purchase is faulty, please telephone our helpline for immediate assistance. Faulty product claims made within the first years warranty period will be repaired or replaced free of charge provided that you have a satisfactory proof of purchase.
(keep your receipt safe)

This does not affect your statutory rights. However be aware that the warranty will become null and void if the product is found to have been deliberately damaged, misused and/or disassembled.

Scope Of Delivery



Components

- | | | | |
|---|---------------------------|----|-------------------------------|
| 1 | Soundbar | 6 | HDMI 2.0 Cable |
| 2 | Remote Control | 7 | Wall Bracket (x2) |
| 3 | Subwoofer | 8 | Wall Plug 25mm (x2) |
| 4 | 18V/2A Mains Adaptor (x2) | 9 | Screw (x2) |
| 5 | CR2025 Battery | 10 | Paper Drill Guide (not shown) |

General Information

This user guide is based on the standards and regulations that are valid within the European Union. Also the country specific directives and laws outside of the EU.

Reading and storing the user guide



This user guide belongs to this Soundbar With Wireless Subwoofer (referred to as the “product” below). It contains information on how to setup and use the product. Read the user guide carefully, in particular the safety instructions before using the product. Failure to follow this user guide may lead to severe injury or product damage.

Intended Use

This product is exclusively designed to amplify compatible entertainment devices. This product is not intended for commercial use.

Only use the product as described in this user guide. Any other use other than directed may lead to damage of the product or equipment and even possible injury. The manufacturer or retailer assume no liability of damaged caused by improper or incorrect use.

This product IS NOT a toy.

Explanation of symbols

The following symbols are used on the product and packaging:



This symbol indicates additional information on the assembly or operation of the product.



This symbol refers to the declaration of conformity. Products marked with this symbol meet all the applicable community regulations of United Kingdom.



This symbol refers to the disposal of waste electrical and electronic equipment according to Directive 2012/19/EU of the European Parliament and of the Council. The device and the batteries must not be disposed of together with domestic waste. If you want to dispose of the device, do it the environmentally friendly way by bringing it and the batteries to a public collection point.



This symbol refers to the box packaging.
The card used is made from widely recycled material.

Safety

Explanations of instructions

The following symbols and signal words are used in this user guide.



▲WARNING!

This symbol denotes situations that could cause injury to yourself or others.



▲CAUTION!

This symbol denotes situations that could cause damage to the product or equipment as well as possible injury to yourself.



NOTE!

This symbol denotes important information or advice regarding the correct use of the product.

General Safety Instructions

Please read this important safety information before you use this product. The following warning and caution information is to prevent injury to yourself or others and to prevent damage to your product or equipment.

▲WARNING!

Risk of electric shock!

Failure to comply with safety warnings and regulations can cause serious injury or death.

- Only connect the product if the mains voltage of the sockets matches the information shown on the rating plate.
- Only connect the product to an easily accessible socket so that you can quickly disconnect it from the mains power in the event of a malfunction.
- DO NOT operate this product if it has visible damage or if the power cables or plug is faulty.
- DO NOT operate this product with wet or damp hands or other body parts.
- DO NOT immerse the product, power cable or plug in water or other liquids or expose them to damp or moist conditions.
- DO NOT pull the power cable excessively when disconnecting it to prevent possible shock, fire or damage to yourself or the product.
- DO NOT excessively bend the power cable. This will minimise excessive wear to the connectors and the power cables.
- If the power cable of the product is faulty it must be replaced to prevent any possible damage to the product and/or user.
- DO NOT open the housing; have repairs performed by qualified professionals. Contact the service centre. No liability is assumed and warranty claims shall be void in the case of unauthorised repairs, improper connection or incorrect operation.
- DO NOT carry this product in your pockets. If the product is faulty or damaged it may explode or result in fire if too much pressure is applied to it.
- DO NOT drop this product.
- DO NOT place this product on or in a heating device, such as a microwave, oven, stove, or radiator. This product may explode when overheated.

⚠WARNING!

Risk of electric shock!

Failure to comply with safety warnings and regulations can cause serious injury or death.

- Avoid exposing your product to very cold or very hot temperatures. Extreme temperatures can damage the product and reduce the charging capacity and life of the installed battery.
- DO NOT directly connect the positive and negative terminals. Doing so will cause the product to malfunction.
- DO NOT leave children unsupervised with this product. It is not a toy.

⚠CAUTION!

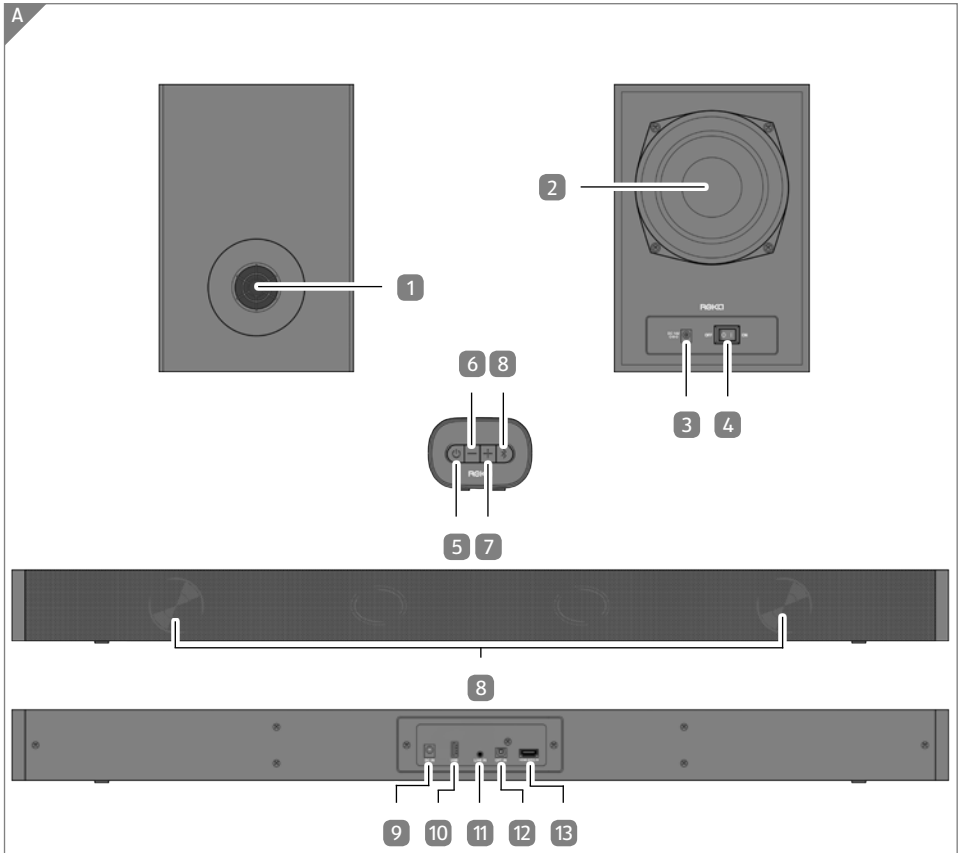
Failure to comply with safety cautions and regulations can cause injury or property damage.

- Secure all cables to prevent any possible trip hazards.

NOTE!

- Handle and dispose of this product with care. Never dispose of this product in a fire. Never crush or puncture the product. Contact your local council for safe disposal of this product as it contains a rechargeable Li-Ion battery.

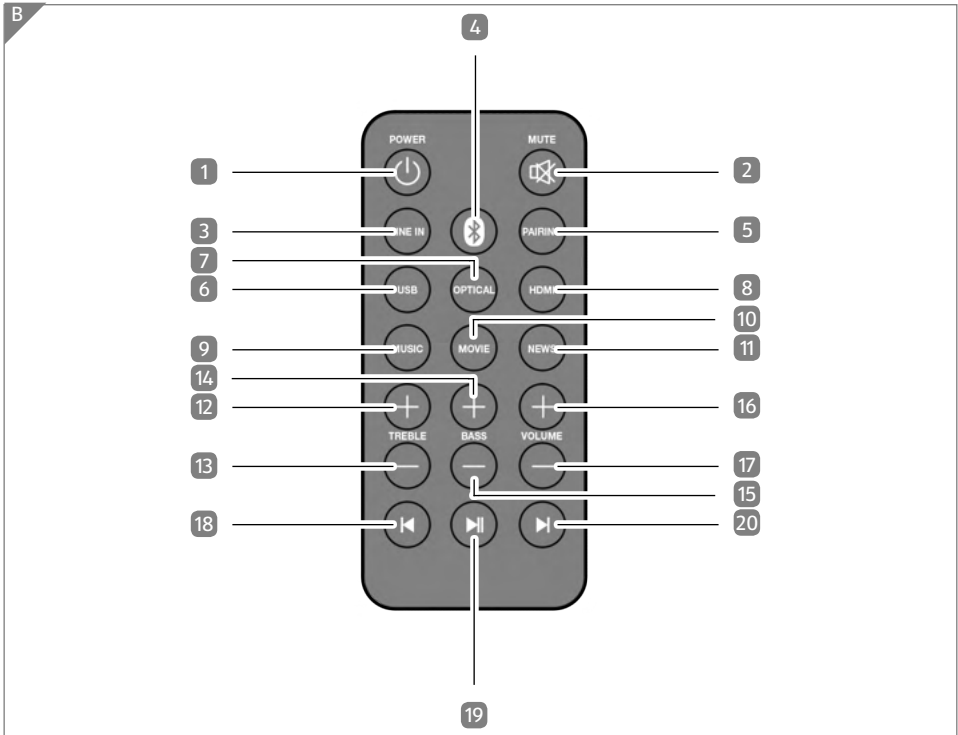
Product Description



Description

- | | | | |
|---|-------------------------|----|--------------------|
| 1 | Subwoofer Air Intake | 8 | Soundbar Speakers |
| 2 | Subwoofer Speaker | 9 | 18V/2A DC In Port |
| 3 | 18V/2A DC In Port | 10 | USB 2.0 Dataport |
| 4 | Subwoofer On/Off Switch | 11 | 3.5mm AUX In Port |
| 5 | Soundbar On/Off Switch | 12 | Optical In Port |
| 6 | Volume Down | 13 | HDMI (Arc) In Port |
| 7 | Volume Up | | |

Product Description



Description

- | | | | |
|----|-------------------------|----|----------------|
| 1 | Power On/Off | 11 | News EQ Preset |
| 2 | Mute | 12 | Treble + |
| 3 | Line In Audio Source | 13 | Treble - |
| 4 | Bluetooth | 14 | Bass + |
| 5 | Pairing | 15 | Bass - |
| 6 | USB Audio Source | 16 | Volume + |
| 7 | Optical In Audio Source | 17 | Volume - |
| 8 | HDMI Audio Source | 18 | Skip Back |
| 9 | Music EQ Preset | 19 | Play/Pause |
| 10 | Movie EQ Preset | 20 | Skip Forward |

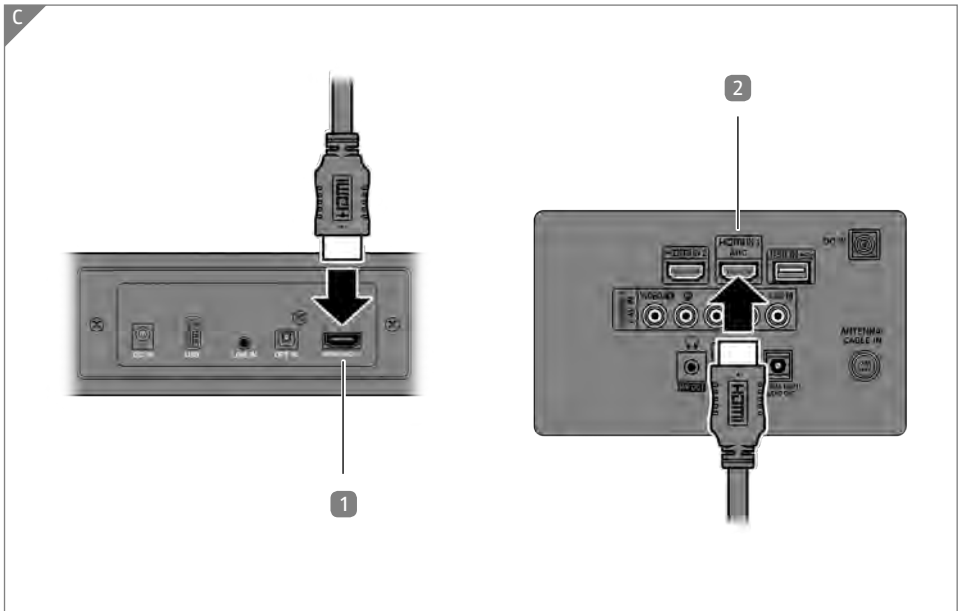
Setup

There are 3 ways to setup depending on what output are available on the device you are connecting to. You can choose from HDMI, Optical and Line In. It is also possible to connect upto 4 devices to the Soundbar.

First, place the soundbar in a suitable position center aligned to the device. Connect the 18V/2A supplied to the DC in port on the back of the soundbar and the other end to a suitable mains power outlet.

Connecting Via HDMI (ARC)

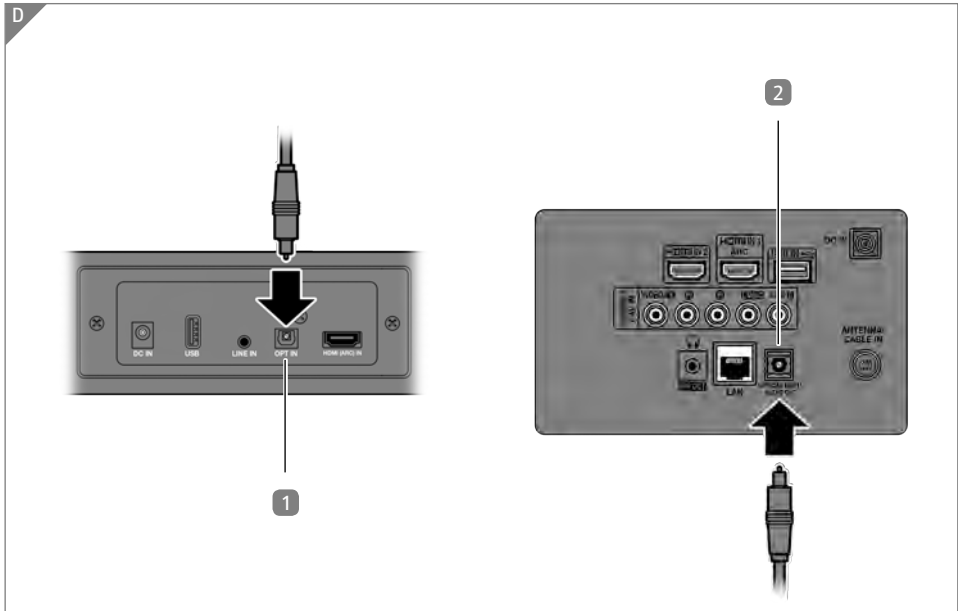
Check your devices manufactures manual to make sure your device is HDMI ARC (Audio Return Channel) compatible. Connect a standard HDMI cable to the 'HDMI (ARC) In' port **C 1** on the back of the sound bar. Connect the other end of the HDMI cable to the device's designated 'HDMI ARC' port **C 2**.



- i** The HDMI ARC port is usually clearly marked on the back of the device. Most smart televisions after 2009 are usually HDMI ARC compatible.

Connecting Via Optical

If your device supports optical audio you can connect to the Soundbar with a standard optical audio cable. Connect the optical cable to the 'OPT In' port **D 1** on the back of the Soundbar. Connect the other end of the optical cable to the device's designated 'Optical Digital Audio Out' port **D 2**.

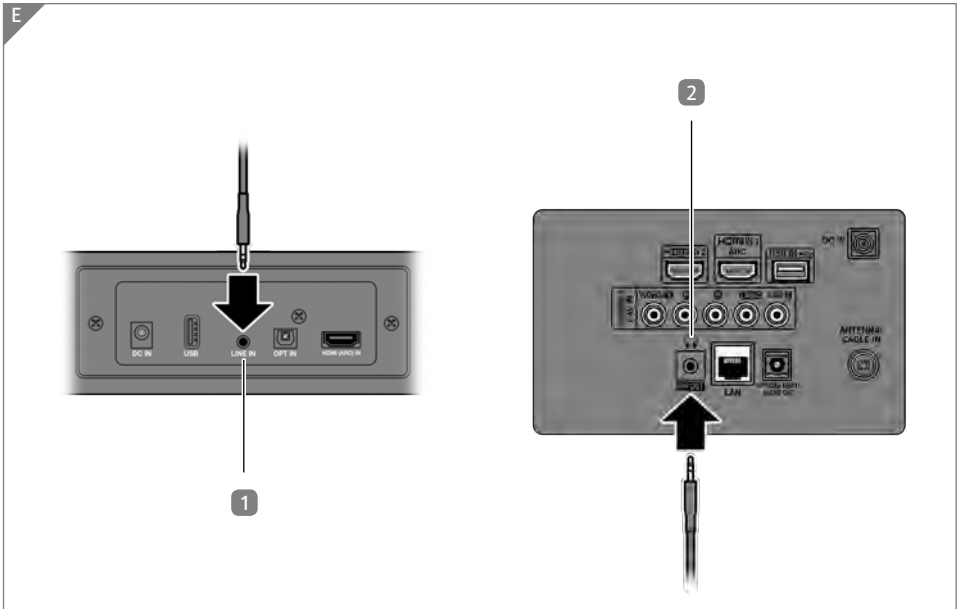


i Some DVD and Blu-ray players have Optical audio output and can make use of this option if the TV does not support HDMI ARC.

Connecting Via Line In

Any device that has a headphone or Line out port can connect to the Soundbar via the 3.5mm 'Line In' port.

Connect a 3.5mm AUX cable to the 'LINE IN' port **E 1** on the back of the Soundbar. Connect the other end of the AUX cable to the device's 'Headphone' **D 2** or 'Line Out' port.



- i** If you are connecting a smart phone, make sure the phone's volume has been set to maximum.

Setting Up The Subwoofer

The subwoofer will automatically connect to the soundbar once they are both turned on. Connect the 18V/2A mains adaptor to a suitable main outlet and the other end to the 'DC In' **A 3** on the back of the subwoofer. Turn on the subwoofer with power on switch **A 4** followed by pressing and holding the power button on the side of the soundbar **A 5** until the soundbar turns on. With in a few seconds the subwoofer will automatically connect ready to use.

- i** If the subwoofer does not connect, turn both units off, wait a moment then turn them on in the order listed above.







Using The Soundbar

Selecting A Source

The current sound source is indicated by the colour of the LED light on the front of the sound bar.

Source	LED Colour
Optical In	Red
HDMI	Green
Line In	Yellow
Bluetooth	Blue
USB	Blue & Green

To select a source press one of the source buttons on the remote.
You can choose from the following:

'LINE IN'  3
(Bluetooth)   4
'USB'  6
'OPTICAL'  7
'HDMI'  7

Alternatively you can give the power button   5 on the soundbar a quick press to cycle to the next source.

Volume Control

The soundbar's volume is set in a small adjusting stepped range in $-31 < 0 > +31$. To adjust the volume either use the '+' **B 16** or '-' **B 17** volume buttons on the remote or alternatively a quick press on the '+' **A 6** or '-' **A 7** buttons on the side of the soundbar. When you reach the limits you will here an audio notification.

EQ Presets

This sound bar uses 3 equaliser presets. These are: 'Music', 'Movie' and 'News'.

- 'MUSIC' **B 9**

This option sets the EQ with a little more bass bias.

- 'MOVIE' **B 10**

This option sets the EQ with a rounded neutral audio balance.

- 'NEWS' **B 10**

This option sets the EQ with a bias towards the high vocal frequencies.



Manual EQ

It is possible to adjust the equaliser to your personal preference using the Bass '+' **B 14** or '-' **B 15** buttons and the Treble '+' **B 12** or '-' **B 13** buttons on the remote.

i All EQ adjustments can only be controlled by the remote only.

Bluetooth







It is possible to connect a smart phone, tablet, laptop or device that is bluetooth compatible to play audio through the soundbar.

To connect a device press and hold the  **B 4** on the remote or the  **A 8** button on the side of the soundbar for 3 seconds until the LED is flashing blue. On the devices bluetooth 'available devices' list look for and add 'REKA AUDIO'.

Once paired the device will automatically connect next time providing the soundbar is still listed in the connected devices list of the device.


Bluetooth Controls

The devices playlist can be controlled by the device's app controls or the basic controls provided by the soundbar.

Action	Soundbar	Remote
Skip forward	 A 7	 B 20
Play/Pause	 A 8	 B 19
Skip Back	 A 6	 B 18







- i** Make sure the devices volume is set to maximum for best results. You cannot pair additional speakers or headphones to the soundbar.

USB

The soundbar includes a feature where you can play MP3 tracks from a USB stick. Transfer DRM free MP3 files to a USB stick that is no bigger than 8GB and formatted to FAT32. This can be done directly on a computer under the format options. Insert the USB stick into the USB 2.0 port  on the back of the soundbar.

USB Controls

The USB playlist can be controlled by the basic controls provided by the soundbar.

Action	Soundbar	Remote
Skip forward		
Play/Pause		
Skip Back		

Mounting The Soundbar

Required Tools:

- Cross Head Screwdriver
- 6mm Masonry Drill Bit
- Hammer Action Drill
- Masking Tape
- Tape Measure
- Spirit Level
- Pencil

Placement

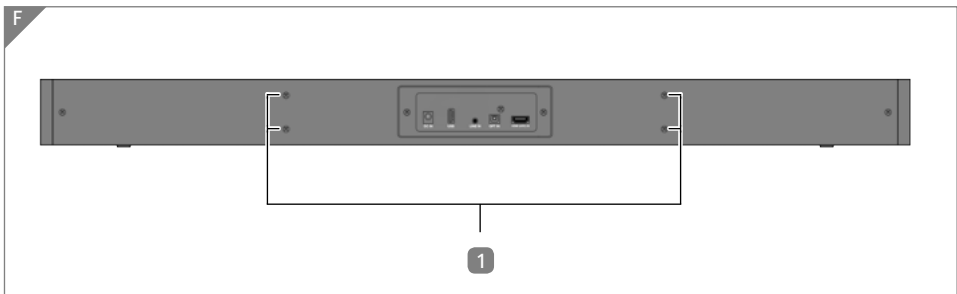
Ideally the soundbar should be mounted to the wall either below or above the TV center aligned with the screen. Avoid placing the soundbar on hard surfaces that could cause resonance reducing the sound quality if wall mounting is not an option.

The subwoofer should be placed on the floor to the left or right of the TV depending on which side sounds better for your room and at least 150mm away from any wall to allow it to fully function correctly.

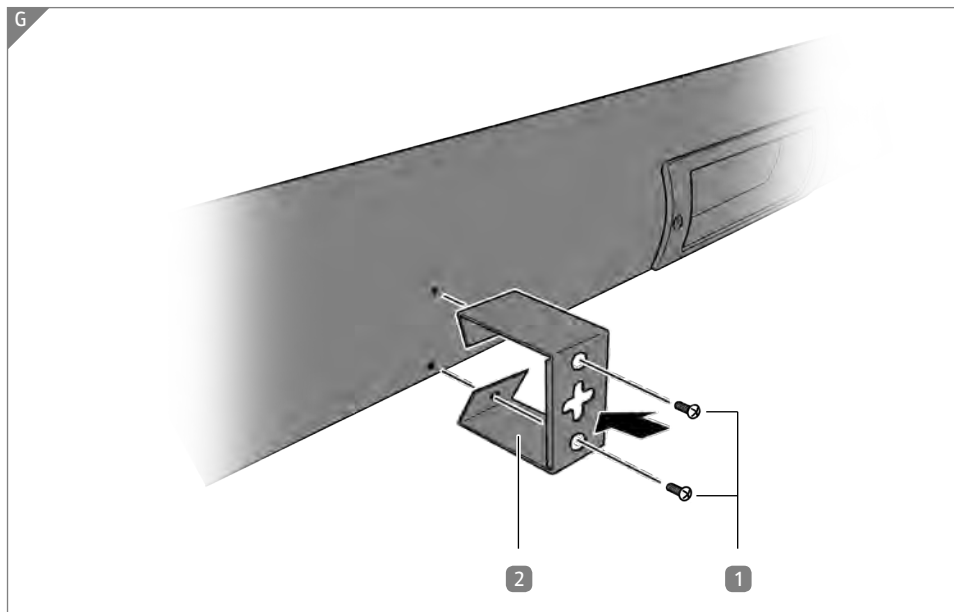
i Make sure all cables are secured to avoid trip and snag hazards.

Fitting The Wall Brackets

To fit the bracket you will first need to remove the four screws **F 1** on the back of the of the soundbar with a cross head screwdriver.



Next, place the bracket **G 2** on the back of the soundbar and line up the screw holes. Secure the bracket **G 2** into place with the previously removed screws **G 1** on the back of the Soundbar with a crosshead screw driver.



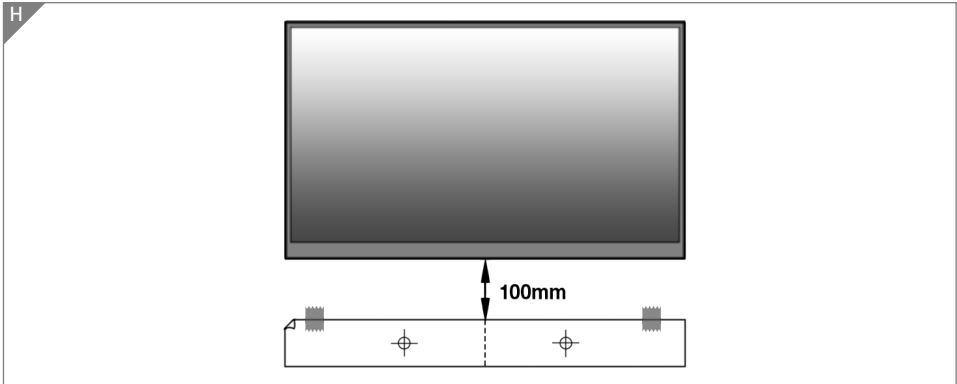
The soundbar is ready to mount to the wall.

Wall Mounting

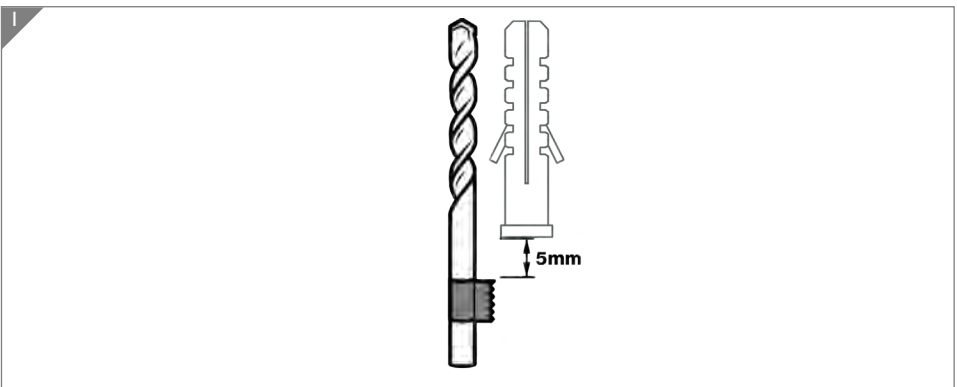
First find the center mark of your TV. Measure a minimum of 100mm down or up depending if you are mounting the soundbar above or below the TV.

Draw a long horizontal line using the spirit level at the 100mm mark. Place 2 pieces of masking tape on the supplied drilling guide and place the top edge of the paper.

Adjust the guide along the marked horizontal line so that the center line on the guide lines up with the 100mm center line on the wall.



Mark through the drill marks on guide on to the wall with either the pencil or screw driver. The wall plugs provided are 25mm x 6mm. This mean you will need to drill to a depth of 30mm. The easiest way is to measure and use a tape marker on your masonry drill bit 5mm more than the length of the wall plug.



i Plasterboard will require different wall plug fittings.

Drill the holes carefully to the depth marked by the tape.

Insert the wall plugs and tap them into place until they are flush with the wall with the back of the screwdriver. Fix the screws in place with a cross head screwdriver leaving a couple of millimetres space between the wall and the screw head so the bracket can hook on to them.

Connect the power cable and required audio cable inputs you want to use to the back of the soundbar. Finally line up the center of the crosses on the brackets to the fitted screws on the wall. Slot the bracket over the screw heads and lower the soundbar into place to finalise mounting it to the wall.

Connect any cable that require connecting to devices. Once done, secure all cables to prevent snagging and to tidy up the installed area.

i Clean up the area of brick dust to prevent stains and/or damage to equipment and surrounding area.

Mounting Tips

The tips listed below are suggestions that will help your audio experience with the product.

- Make sure the soundbar's cables are not running in close proximity to any electrical power cable. This is to ensure zero or minimal power interference.
- The soundbar's rear must have nothing in its immediate vicinity. It should be at least a 10mm away from anything. Blocking the space behind the soundbar is important for the equipment's acoustics.
- The soundbar must be positioned in a way that the speaker's grille faces the room and not the wall. It should also not be positioned behind the TV.
- Make sure there is no wireless equipment within 1m of the soundbar to mitigate any wireless interference.
- Whether the soundbar goes below or above your TV, make sure it is properly aligned with your TV. If the soundbar is the same length as your TV, it should be positioned accordingly. If the soundbar is longer, make sure it is center aligned to ensure the picture and audio come from one spatial point source.
- If both the devices are wall-mounted, make sure there is a gap of at least 100mm between the two. This would ensure the controls of either device and the different connectivity options are easily accessible.
- Do not hide your soundbar. Soundbars are designed to be positioned openly in front of the viewer and not in a cabinet or behind the sofa.
- Do not place the soundbar on the floor as the audio experience is best when the audio's point of origin and travel is at the same level as your e

Trouble Shooting

Problem	Cause	Solution
Bluetooth dropping out after a few minutes.	<ul style="list-style-type: none"> • Full device cashe. • Low power. 	<p>Manually clear the device's cache & restart the device.</p> <p>Replace/Charge batteries</p>
Stuttering/delay music.	<ul style="list-style-type: none"> • Too many processes running on device. • Corrupt bluetooth profile. • Interference. 	<p>Close unused apps.</p> <p>Unpair & delete bluetooth profile, then re-pair device.</p> <p>Use away from high powered devices or strong RF signals.</p>
No music.	<ul style="list-style-type: none"> • No compatible music app. • A2DP is not available on your device. • Soundbar not paired. • No power. • Volume low. 	<p>Use a compatible music app.</p> <p>None.</p> <p>Check Bluetooth is on & the device is connected.</p> <p>Turn on or replace batteries.</p> <p>Turn the volume up.</p>
Not playing a track.	<ul style="list-style-type: none"> • DRM protected. • Invalid file format. 	<p>Use a none DRM protected file.</p> <p>Use .MP3 or .WAV file formats.</p>

i If you are unsure in anyway about your product please contact the after sales support listed on the warranty card.

Product Care

Please read this important product care information before you store or clean this product. The following information is to prevent damage to your product and to keep it in good working condition.

Storing

It is recommended for long term storage that you do the following:

- DO NOT place heavy items on top of the soundbar.
- DO NOT place the speaker in direct sunlight.
- Always remove the internal battery in case of leakage and/or corrosion.
- Always store the speakerbar in a dry ambient temperature place (0°C - 45°C).

Cleaning

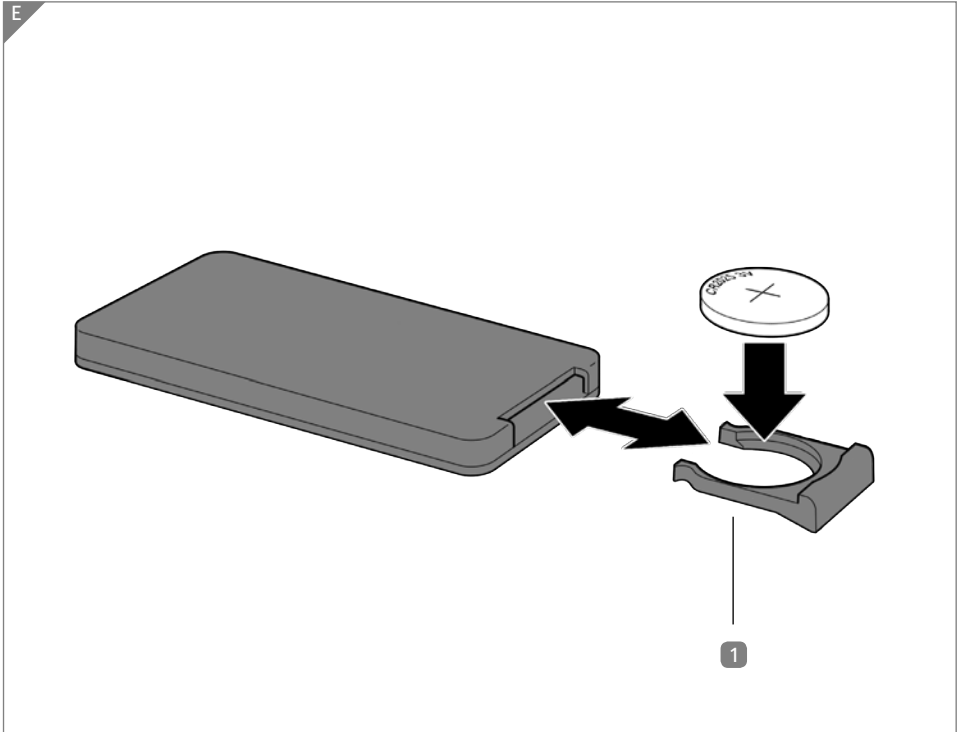
It is recommended that to clean your product you do the following:

- Use a damp lint free cloth to wipe over the housing of the alarm clock.
- DO NOT use chemicals or detergents.
- DO NOT attempt to clean the terminals in the charge port.

i Chemicals and detergents can corrode the alarm clock's housing and could damage the product if there is any liquid ingress.

Replacing The Battery

This remote uses a CR2025 3V battery. This battery lasts typically for approximately 12 months. To replace the battery, slide out the battery tray **E 1** from the remote body.



Once the battery tray is removed replace the battery and insert it into the battery tray **E 1** making sure that the positive symbol is facing up. Insert the battery tray **E 1** back into the main remote body and push firmly to secure.

Technical Data

General

Approx Weight: 3Kg
Soundbar Approx Dimensions: 810mm x 95mm x 66mm
Subwoofer Approx Dimensions: 165mm x 298mm x 240mm
Mains Power: 18V/2A, 18V/2A
Available Ports: 1x DC In Port, 1x 3.5mm Line In, 1x HDMI,
1x Optical, 1x USB 2.0

Battery

Battery Type: Li-Ion CR2025
Capacity: 210mAH
Use Time: Approximately 12 Month

USB Port

Max Size: 8Gb
Supported Version: 2.0
Format: FAT32

Bluetooth

Bluetooth Ver: 5.0
Frequency Range: 2.400GHz-2.483GHz
Bluetooth Protocol: SPP, A2DP, AVRCP
Bluetooth Range: 10m
Bluetooth Name: REKA AUDIO

Speaker

Speaker Size: 2 x 58mm, 1 x 120mm
Speaker Channels: 2.1 Stereo
Speaker Watts: 2 x 20W, 1 x 30W
Max Speaker Output: 70W
Impedance 4 Ω

Declaration Of Conformity

Hereby, Qesh Ltd declares that this product is in compliance
with Directive 2014/53/EU

The full text of the declaration of conformity is available at the
following Internet address: -

www.qesh.co.uk/DOC/

Disposal Information

Packaging



The card used in the packaging is made from widely recycled material. Dispose of the box in the council approved recycle bin. Check with your local authority or at www.recyclenow.com to see which items are collected in your area.

Product

This product uses a CR2025 Li-Ion internal battery.
Do not dispose of batteries in your household waste.
Please contact your local authority for details on safe disposal.

- Never throw batteries into a fire or expose to excessive heat sources.
- If batteries are swallowed, please seek immediate medical attention.
- Always ensure correct +/- battery polarity when installing batteries.
- Do not recharge non-rechargeable batteries.

Batteries, should not be thrown away with your household waste. Contact your local authority waste disposal department, as they will be able to provide details of the recycling options available in your area.



Electrical and electronic equipment (EEE) contains materials, parts and substances, which can be dangerous to the environment and harmful to human health. Therefore waste electrical and electronic equipment (WEEE) must be disposed of correctly.



Equipment, which is marked with the WEEE logo (as shown on the left), should not be thrown away with your household waste. Contact your local authority waste disposal department, as they will be able to provide details of the recycling options available in your area.

Warranty Conditions

Dear Customer,

This warranty offers you extensive benefits:

Warranty period: 1 year from the date of purchase.
6 months for wear of parts and consumables under normal and proper conditions of use (e.g. Rechargeable batteries).

Costs: Free repair/exchange.
Refundable postage cost.

Hotline: 01270 508538 (UK) - 11p/min from a BT landline.
1800 995 036 (IE) - free phone service.
Calls from mobiles may cost considerably more.

Phone lines Available: Monday to Friday, 9am to 5pm
(excluding UK bank holidays).

Please contact our **AFTER SALES SUPPORT** by phone or email before sending in the device. This allows us to provide support in the event of possible operator error.

In order to make a claim under the warranty, please send us:

- The completed warranty card with a copy of the original purchase receipt.
- The faulty device with all the accessories included within the packaging.

This warranty does not cover damage caused by:

- **Accidental damage** or **unanticipated events** (e.g. Lightning, fire, water, etc).
- **Improper use** or **transportation**.
- **Disregard** of the **safety** and **maintenance instructions**.
- Other **improper treatment** or **modification** of the product.

After the expiry of the warranty period, you still have the possibility to have your product repaired at your own expense. If the repair or the estimate of costs is not free of charge you will be informed accordingly in advance.

This warranty does not affect your statutory rights. In the event that a product is received for repair, neither the service company nor the seller will assume any liability for data or settings possibly stored on the product by the customer.

WARRANTY CARD

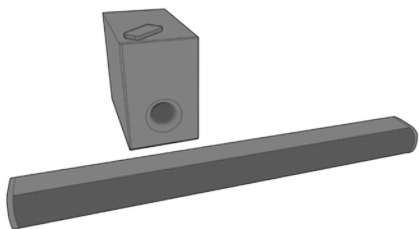


REKCI®

SOUNDBAR WITH BLUETOOTH SUBWOOFER

Please contact our **AFTER SALES SUPPORT** by phone or email before sending in the device.
This allows us to provide support in the event of possible operator errors.

05/2021



MODEL:

SR250G

AFTER SALES SUPPORT

01270 508538 (GB) 1800 995 036 (IE)

enquiries@qesh.co.uk

PRODUCT CODE

709188

SERVICE CENTRE

**Qesh LTD.
B7, First Business Park,
First Avenue, Crewe,
Cheshire, UK.
CW16BG.
www.qesh.co.uk**

Description of malfunction:

Your details:

Date and location of purchase: _____

Name: _____

Address: _____

Email: _____

Great care has gone into the manufacturing of this product and it should therefore provide you with years of good service when used properly. In the event of product failure within its intended use of the course of the first year after the date of purchase, we will remedy the problem as quickly as possible once it has been brought to our attention. In the unlikely event of such occurrence or if you require any information about the product, please contact us via our helpline support services, details of which are to be found both on this user guide and on the product itself.



PRODUCED IN CHINA FOR:

QESH LTD. B7 FIRST BUSINESS PARK,
FIRST AVENUE, CREWE,
CHESHIRE. CW16BG.

Visit us at www.quesh.co.uk

AFTER SALES SUPPORT

709188



01270 508538



1800 995 036



www.quesh.co.uk

MODEL:

Soundbar With Wireless Sub

05/2021

1

YEAR
WARRANTY

UK
CA